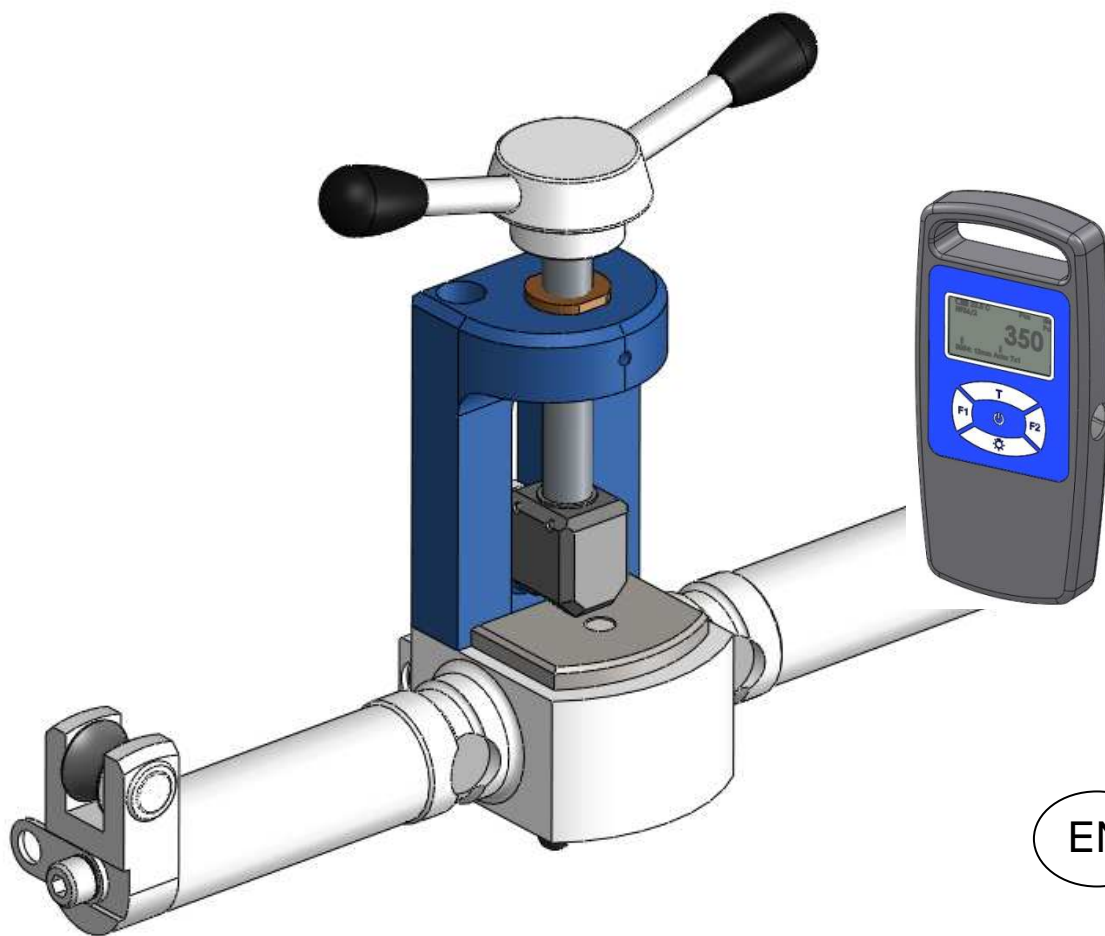


Tension meter dynarope HF36/1/LPT



**Operation and
maintenance
manual**

SUMMARY

1. DEFINITIONS	3
2. PICTOGRAMS USED IN THIS MANUAL	3
3. STANDARD CONTENT OF DELIVERY	3
4. INTRODUCTION	4
4.1. Description.....	4
4.2. Characteristics.....	4
4.3. Data bank HF 36/1/LPT.....	4
4.4. Specific calibration	5
5. PRESENTATION	6
5.1. Tension meter HF 36/1/LPT.....	6
5.2. Display HF 87/T/LPT	7
5.3. Display information and keyboard functions	8
6. TO CARRY A MEASUREMENT OUT	9
6.1. To install the tension meter on the wire rope.....	10
7. CONFIGURATION MENU	11
8. ADVANCED FUNCTIONS	12
8.1. Average	12
8.2. Record	13
8.3. Custom calibration	13
8.3.1 Create.....	13
8.3.2 Use	14
8.4. Monitor.....	14
9. MAINTENANCE, CHECKING AND CLEANING	14
9.1. Changing batteries.....	14
9.2. Regulatory check.....	14
9.3. Maintenance	15
10. MESSAGES	15
10.1. Information messages	15
10.2. Error messages	16
11. PRODUCT MARKINGS	17

PRIORITY INSTRUCTIONS

1. Before installing and using this unit, to ensure safe, efficient use of the unit, be sure you have read and fully understood the information and instructions given in this manual. A copy of this manual should be made available to every operator. Extra copies of this manual can be supplied on request.
2. Do not use the unit if any of the plates mounted on the unit are missing or if any of the information on the plates, as indicated at the end of the manual, are no longer legible. Identical plates will be supplied on request; these must be secured on the unit before it can be used again.
3. Make sure that all persons operating this unit know perfectly how to use it in a safe way, in observance of all safety at work regulations. This manual must be made available to all users.
4. The positioning and commissioning of this appliance must be carried out under conditions that ensure installer safety in compliance with the relevant regulations.
5. Each time, before using the unit, inspect the unit for any visible damage, as well as the accessories used with the unit. Never use an appliance that is not obviously in good condition. Returns the appliance to the manufacturer for servicing if any anomalies arise that have no connection with the state of the battery;
6. Protect your appliance from any form of impact, especially the display unit.
7. The unit must never be used for any operations other than those described in this manual. The unit must never be used to handle any loads exceeding the maximum utilization load indicated on the unit. It must never be used in explosive atmospheres.
8. This appliance should never be used for man-riding applications without a thorough prior check that the utilization coefficients required for personnel safety have been applied, and more generally that the safety regulations for the load line on which it has been installed have been applied.
9. Tractel® declines any responsibility for use of this unit in a setup configuration not described in this manual.
10. Tractel® declines any responsibility for the consequences of any changes made to the unit or removal of parts.
11. Tractel® declines any responsibility for the consequences resulting from disassembly of the unit in any way not described in this manual or repairs performed without Tractel® authorization, especially as concerns replacement of original parts by parts of another manufacturer.
12. If the unit is to be definitively removed from use, make sure the unit is discarded in a way which will prevent any possible use of the unit. All environment protection regulations must be observed.
13. Any operation of this appliance in conjunction with supplementary equipment relaying signals on an operating system must be preceded by a risk analysis related to the operating functions implemented, carried out by the system user or assembler, and all appropriate measures are taken as a consequence.
14. Certified in compliance with European regulations, this appliance should be checked for compliance with the regulations of any other country where it might be used, prior to being commissioned there.



As part of the continuous improvement of the quality of its products, TRACTEL® reserves the right to change, without notice, the characteristics of the products covered in this manual.

1. DEFINITIONS

In this manual, the following terms mean:

« Product » : Equipment element or assembly defined on the cover page, delivered complete in its standard version, or as one of the various models described.

« Installation » : Comprehensive set of operations required to place a complete product in a condition ready for commissioning (or connection to other components for commissioning), starting from the state in which the product has been delivered.

« User » : Person or department responsible for the management and safe use of the product described in the manual.

« Technician » : Qualified person in charge of the maintenance operations described and authorized to the user by the manual ; the technician is understood to be skilled and familiar with the product.

« Operator » : Person or department using the product in compliance with the purpose for which it is intended.

2. PICTOGRAMS USED IN THIS MANUAL



«DANGER»: Remarks intended to prevent fatal, serious or minor injury to personnel or damage to the environment.



«IMPORTANT»: Remarks intended to prevent a failure or damage to the product, but not directly endangering the life or health of the operator or any other person, or damage to the environment



You must read the user and maintenance manual.

3. STANDARD CONTENT OF DELIVERY

- A Tension meter dynarope HF 36/1 LPT
- A display HF 87/T/LPT with 3 "AA" 1,5 V batteries
- A LEMO connection cable 4 poles
- A USB key with the LOADER Light program and a USB-Mini USB connection cable
- A CE certificate & calibration certificate
- A user manual
- A rugged carrying box

4. INTRODUCTION

4.1. Description

This tension meter dynarope HF 36/1 LPT is an electronic load cell that has been designed to measure the effort applied in a wire rope without having to dismantle the installation.

The resulting signal generated by the sensor equipped with strain gauges is interpreted by a digital display controlled by a microprocessor.

The display of the program has a database that contains a list of cables. The user selects from the list the cable whose characteristics correspond to the one he wants to measure. (See details in § 4.4)

The display corrects the force information (raw effort) based on the characteristics of the cable to be measured. The measurement result is displayed on an LCD screen.

4.2. Characteristics

- Capacity : from 50 up to 5.000 daN
- Diameters : from 5 up to 13 mm
- Accuracy : < 1% of full scale*
- T° of use : -20°C to + 60°C
- Protection : IP 65
- Size of the packaging HF 36/1/LPT : 450 x330 x 140 mm
- Weight of the HF 36/1/LPT in its transport case : 5 kg
- Net weight of the HF 36/1/LPT : 2,4 kg
- Power supply : 3 "AA" alkaline cells (located into the display)

* Precision obtained with the provided cable samples on a "BELAC" accredited test bench according to the method PL-LAB-07

4.3. Data bank HF 36/1/LPT

The Standard data bank includes several items that are identified by a "Reference Number". Each reference corresponds to a calibration process carried out on a particular sample.

The measurement wire rope is deemed to have a minimum length of 8 m, and is assumed to be tensioned between a fixed end and a "flexible" end (e.g. an aerial mast) in order to render negligible the influence of placing the sensor on the cable. Placing the sensor on the wire rope causes a shorting of the wire rope by approximately 1,5 mm.

If the installation does not match the above description or if the cable you wish to measure does not appear in the list, we recommend that a custom calibration is carried out (see § 8.3) or that you order a specific calibration (see § 4.4).

Item	Ref. Calibration	Material	Structure	Nominal diameter (mm)	Nominal diameter (")	Nominal diameter (mil")	Range (daN)
1	3032	Inox	19 x 1	5	3/16	0,1969	60 - 600
2	3033	Inox	19 x 1	6	1/4	0,2362	70 - 900
3	3007	Inox	19 x 1	7		0,2756	100 - 1200
4	3034	Inox	19 x 1	8	5/16	0,3150	150 - 1500
5	3035	Inox	19 x 1	10	3/8	0,3937	200 - 2400
6	3001	Inox	19 x 1	12		0,4724	310 - 3350
7	3031	Inox	19 x 1	13	1/2	0,5118	350 - 4000
8	3012	Steel	6 x 36	8	5/16	0,3150	100 - 1200
9	3010	Steel	6 x 36	9		0,3543	150 - 1400
10	3013	Steel	6 x 36	10	3/8	0,3937	150 - 1800
11	3011	Steel	6 x 36	11	7/16	0,4331	200 - 2100
12	3014	Steel	6 x 36	12		0,4724	200 - 2500
13	3015	Steel	6 x 36	13	1/2	0,5118	250 - 3000
14	3000	Steel	7 x 1	5		0,1969	60 - 600
15	3016	Steel	7 x 1	6		0,2362	100 - 900
19	3002	Steel	7 x 1	7		0,2756	100 - 1300
20	3017	Steel	7 x 1	8	5/16	0,3150	150 - 1500
16	3018	Steel	7 x 1	9		0,3543	200 - 2000
17	3019	Steel	7 x 1	10	3/8	0,3937	350 - 2400
18	3020	Steel	7 x 1	12		0,4724	400 - 3200
21	3024	Steel	6 x 19 + AM	5	3/16	0,1969	50 - 300
22	3008	Steel	6 x 19 + AM	6	1/4	0,2362	30 - 500
23	3009	Steel	6 x 19 + AM	7		0,2756	50 - 700
24	3027	Steel	6 x 19 + AM	8	5/16	0,3150	100 - 800
25	3028	Steel	6 x 19 + AM	9		0,3543	100 - 1000
26	3029	Steel	6 x 19 + AM	10	3/8	0,3937	150 - 1300
27	3030	Steel	6 x 19 + AM	12		0,4724	120 - 1800
28	3026	Steel	6 x 19 + AM	13	1/2	0,5118	200 - 2200
29	3021	Steel	7 x 7	5	3/16	0,1969	80 - 500
30	3023	Steel	7 x 7	6	1/4	0,2362	100 - 700
31	3006	Steel	7 x 7	7		0,2756	100 - 900
32	3022	Steel	7 x 7	8	5/16	0,3150	100 - 1200
33	3005	Steel	7 x 7	9		0,3543	120 - 1500
34	3004	Steel	7 x 7	10	3/8	0,3937	150 - 1800
35	3003	Steel	7 x 7	12		0,4724	300 - 3000

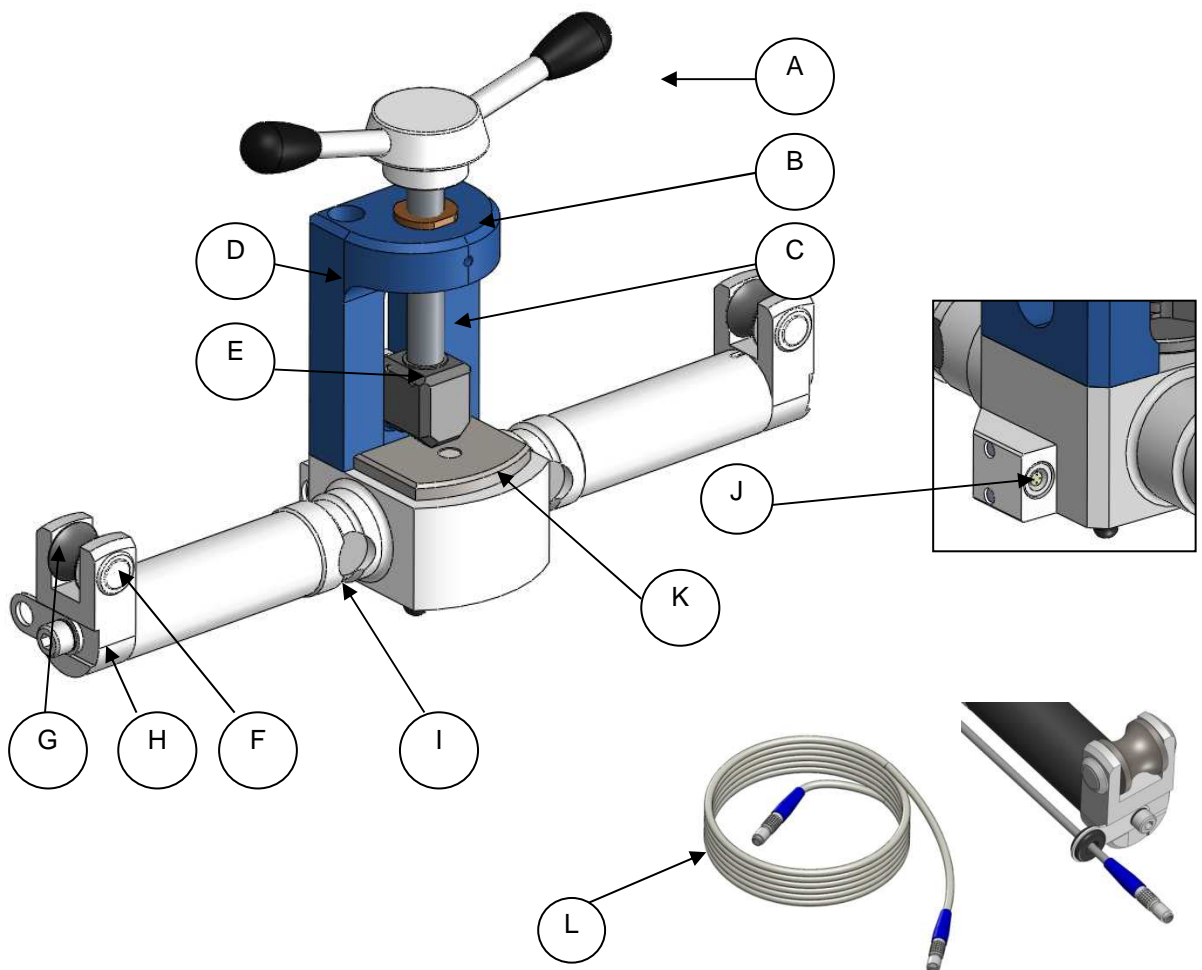
* x36 equals x37

4.4. Specific calibration

Others optional specific calibrations can be added on customer's request, for special wire rope a sample must be supplied (ask for the specific calibration form).

5. PRESENTATION

5.1. Tension meter HF 36/1/LPT



A	Crank	G	Sheaves
B	Bronze nut	H	Support of the sheave
C	Tightening Screw	I	Strain gages
D	Crank support	J	LEMO Plug
E	Jaw	K	Stop block
F	Axle of the sheave	L	LEMO cable

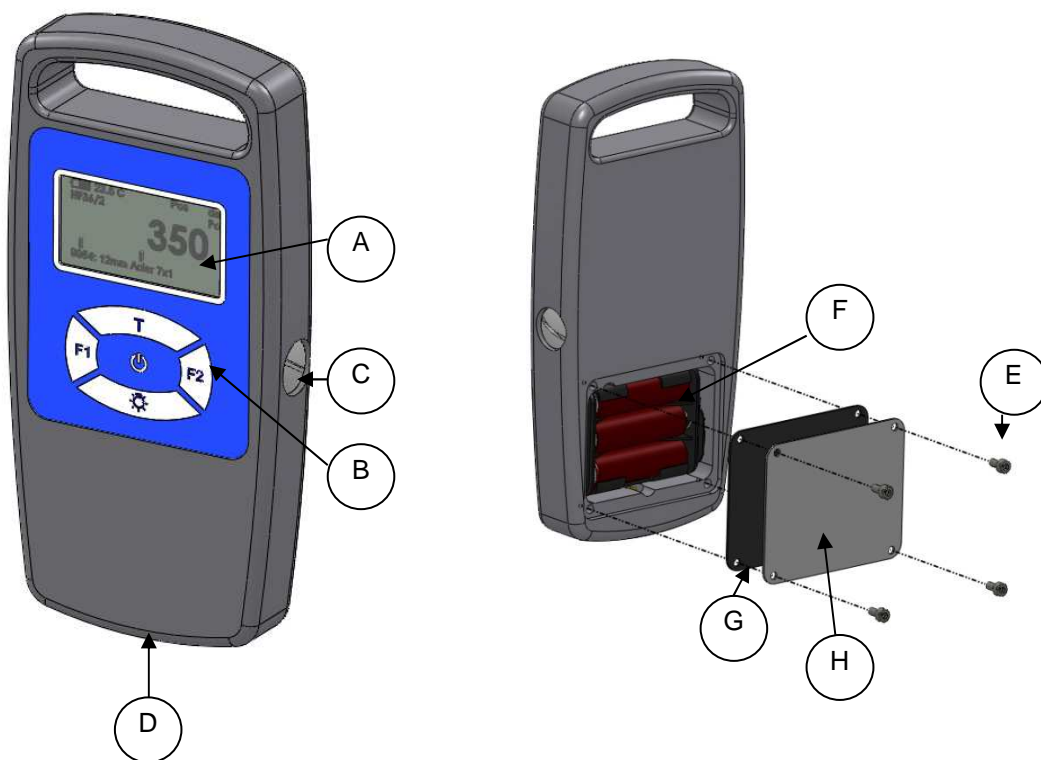


LEMO connector is a « push-pull » connector.

The LEMO self-latching system allows the connector to be mated or unmated by **simply pushing or pulling axially on the outer release sleeve.**

Any rotation of the plug while in the socket will damage the connector and hence the connection between the sensor and the display.

5.2. Display HF 87/T/LPT



A	Display	E	Batteries cover fixing screws
B	Key board	F	Batteries AA 1,5V
C	USB Plug (option)	G	Gasket
D	LEMO plug	H	Batteries cover

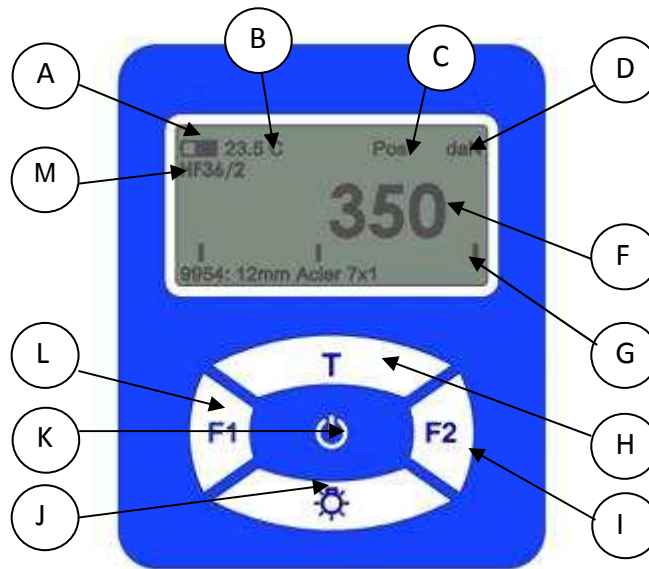


LEMO connector is a « push-pull » connector.

The LEMO self-latching system allows the connector to be mated or unmated by **simply pushing or pulling axially on the outer release sleeve.**

Any rotation of the plug while in the socket will damage the connector and hence the connection between the sensor and the display.

5.3. Display information and keyboard functions



A	Battery level indication	B	Current temperature
C	GPS Status	D	Current unit
F	Current measure	M	Information about the type of tension meter
G	Graphic visualization of the measure between maximum and minimum	T Key	<ul style="list-style-type: none"> Press 3 sec = increase police of the current measure Auto-off: keeps the device on
I	<p>F2 Key</p> <ul style="list-style-type: none"> Press = access to wire rope data bank Press 3 sec = access to historical <p>In MENU Mode</p> <ul style="list-style-type: none"> Press = Select 	J	<p>☼ key</p> <ul style="list-style-type: none"> Press 3 sec = Backlight on or off Press = data log <p>In MENU Mode</p> <ul style="list-style-type: none"> Press = scroll down
K	<p>⏻ Key</p> <ul style="list-style-type: none"> Press = ON Press 3 sec = OFF <p>When ON</p> <ul style="list-style-type: none"> Press = access to MENU <p>In MENU Mode</p> <ul style="list-style-type: none"> Press = Enter 	L	<p>F1 Key</p> <ul style="list-style-type: none"> Press = average mode on Press 3 sec = monitor mode on Press 3 sec = current mode off <p>In MENU Mode</p> <ul style="list-style-type: none"> Press = Escape

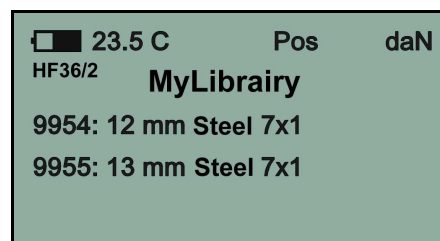
6. TO CARRY A MEASUREMENT OUT



System is zeroing at the time of initialization.

Connections and initialization (display "ON") must be carried out **prior** to fix the tension meter on the wire rope. It is also necessary to **lay the sensor horizontally** before starting.

- Connect the tension meter to the display using the provided LEMO cable.
 - Turn the display "ON", the screen will display :
 - Tractel® logo
 - Parameters setting values
 - Select the type of tension meter presently connected to your display. (e.g.: 36 /3)
 - Scroll with keys ⏪ or T
 - Valid with key ⏩
 - Select the references of the wire rope you want to control
 - Press F2 to accede at the data bank
 - Scroll with keys ⏪ or T
 - calibration reference number – wire rope diameter – Material – Structure
- e.g.:



Notes: Press F2 for 3 sec to visualize the historical of the previous selections

- Valid your selection with the ⏩ key
- Install the tension meter on the wire rope (ref to § 6.1).
- Screen will display (ref to § 5.3) :
 - Current measurement unit
 - Current temperature
 - Battery level of charge
 - Measured effort

Note: MIN = effort below the measurement range of the selected cable
MAX = effort above the measurement range of the selected cable

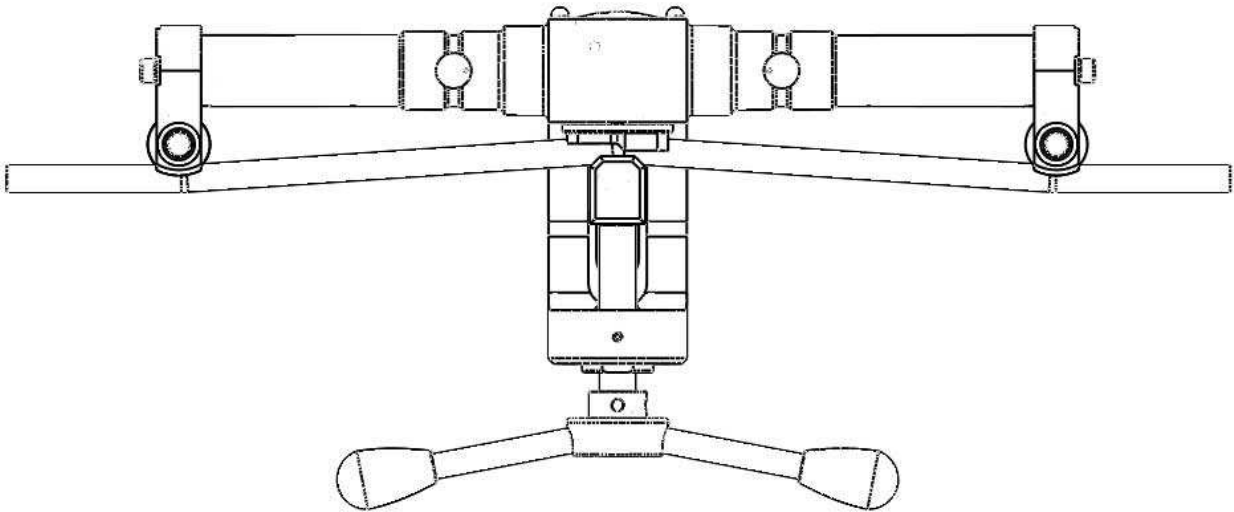
6.1. To install the tension meter on the wire rope

- Use the crank in order to unscrew the tightening screw
- Place the two sheaves onto the wire rope
- Use the crank to tight the tightening screw until the wire rope gets in firm contact with the stop block




Once the cable is in contact with the rotary stop block, confirm with a $\frac{1}{4}$ of turn without forcing it.

Excessive torque may damage both screw and wire rope and will affect the precision of the measure.



7. CONFIGURATION MENU

- Accede to the Menu by pressing the  key
- Use the key board to scroll the menu (See § 5.3)

ON/OFF	PARAMETRES	LANGUAGE
		AUTO OFF
		BACKLIGHT
		TIME
		DATE
		INFORMATION
		RESTORE
	RECORDS	READ
		DELETE
	UNITS	LOAD
		G
		DIAMETER
		TEMPERATURE

- **PARAMETERS**
 - LANGUAGE
Available languages are French and English
 - AUTO OFF
Setting from "0" up to "60" minutes
 - BACKLIGHT
Setting from "0" up to "60" minutes
 - TIME
Set your local time
 - DATE
Set your local date
 - INFORMATION
About the display
 - RESTORE
To restore the factory setting (Except TIME and DATE)


- **RECORDS**

- READ
Read the recorded values
- DELETE
To clear the memory

- **UNITS**

- LOAD UNITS
N, daN, kN, kg, lbf, lbs
- "g" COEFFICIENT
Modify the default parameter : 9,81
- DIAMETER
Available units: mm, decimal inches, fraction inches.
- TEMPERATURE
Available units : C° and F°

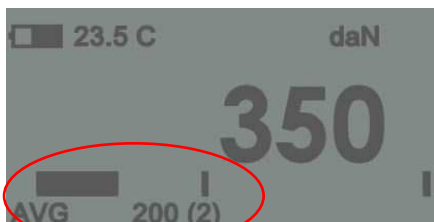
8. ADVANCED FUNCTIONS

AVERAGE – F1	
RECORD – 	
CUSTOM CALIBRATION – F2	CREATE
	USE
	DELETE
MONITOR – F1	

8.1. Average

The tension meter can display the average tension from up to 5 consecutive measures.

- While taking a measure, press F1 during 2 seconds to activate the average mode
- The current effort is displayed on the main screen and on the bottom you can read:
 - AVG – the average effort – (1) which indicates that the average is captured from only 1 measure
- Take another measurement and shortly press on F1 to add this second measure to the computation of the average. The display then shows:
 - AVG – effort – (2) which indicates that the average is captured from 2 measures.



- Repeat the operation with up to 5 measurements. If you try to add a 6th measurement, the error message “!” will appear.
- Press F1 during 2 seconds to leave the average mode

8.2. Record

To record the data at the end of a measurement process

- Press key "⊗" during the measurement process, display will show "REC"
- Conditions : Wire rope selected / Batteries OK
- In average mode, the value recorded is the average value and not the current effort
- To read the values recorded, enter the menu : records : read

Note: the effort must be an actual value (neither "-MIN-" nor "-MAX-») otherwise, the display shows the error message “!”

8.3. Custom calibration

8.3.1 Create

This process (carried out by user) allows to correct the “raw effort” signal provided by the sensor (see § 4.3)



The special calibration is valid for only one type of cable at a single value of effort. This operation must only be performed using the unit daN both on the tension meter and on the dynamometer (see § 7).

To perform a custom calibration, place an online dynamometer in the installation and apply the desired tension in the cable.

- Press F2 and select the cable -- Special -- (first line of the list)
- Select a blank line “Spc xx /”. Press F2
- Select "Calibrate" with key ⊗ to create a new calibration
 - "Use" see § 8.3.2
 - "Delete" to delete an existing custom calibration
- Install the tension meter on the cable (see § 6.1)
- Your display shows the “raw effort” (see § 4.1)



Make sure the raw effort never is above 5.000 (daN). If it is the case, take the tension meter off the cable and go back with the F1 key.

- To have enough signal, the raw effort must be higher than 500
- Press the ⊗ key
- Adjust the value shown by the display at the same value as shown by the dynamometer using keys T and ⊗
- Save the value with ⊗
- End process with F1
- The display shows the current effort with, at the bottom left of the screen, the reference of the custom calibration

8.3.2 Use

- Press F2 and select the cable -- Special -- (first line of the list)
- Select an existing custom calibration
 - Select “Use” with key ⏏ to use the custom calibration
- The display shows the current effort with, at the bottom left of the screen, the reference of the selected custom calibration and the value of the calibration



The effort will only be accurate at this calibration value. At any other value, the precision cannot be guaranteed.

8.4. Monitor

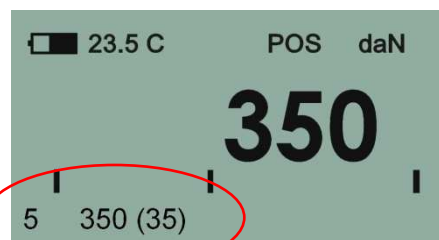
The monitor function allows you to launch an automatic acquisition sequence, i.e. recording during a specified period at a specified interval, variations of effort on a cable (maximum 999 acquisitions).

The operating data recorded via the monitor function requires LOADER MONITOR software option.

- Press 3 sec to turn Monitor mode on
- Set the interval time in seconds (from 1 to 60) with the keys T and ⏏
- Validate with ⏏

The automatic recording has started and is displayed at the bottom left of the screen :

- The countdown till the next recording (based on the set interval) – current measure – between brackets the number of measurements recorded



- Press F1 for 3 sec to leave the Monitor mode

Note: the effort must be an actual value (neither "MIN" nor "MAX") otherwise, the error message “!” appears.

9. MAINTENANCE, CHECKING AND CLEANING

9.1. Changing batteries

- Turn the display OFF
- Remove the batteries cover by unscrewing the 4 fixing screws
- Replace the 3 batteries and respect polarities
- Put the batteries cover back

9.2. Regulatory check

New appliances come with a certificate of adjustment. This document indicates the values obtained during adjustment and certifies that the sensor has been adjusted, in compliance with

an in-house procedure, on a calibration bench with its calibration sensor connected to the International Standard calibrator.

Tractel® recommends an annual metrological check for every appliance.

9.3. Maintenance

The sensor/display unit requires no specific maintenance other than a regular cleaning with a dry cloth.

10. MESSAGES

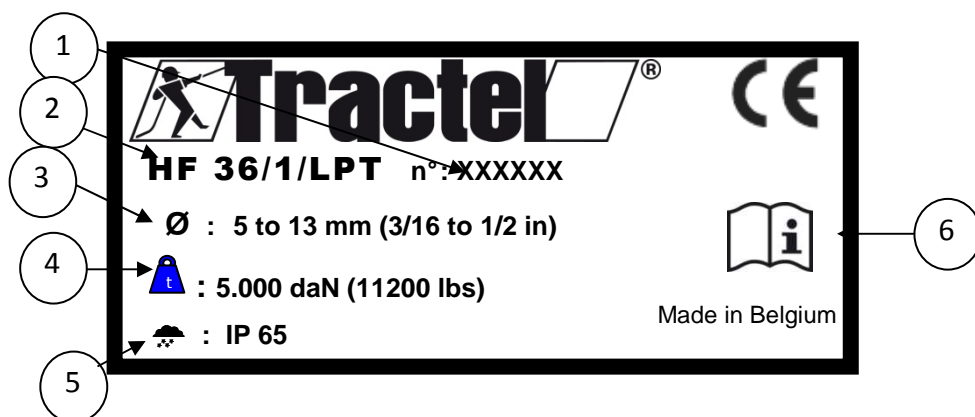
10.1. Information messages

Message	Cause	Solution
-----	No wire rope selected.	Select a wire rope (§ 6)
- MIN -	Current effort is below the measurement range of the selected wire rope.	Apply tension in the wire rope.
- MAX -	Current effort is above the measurement range of the selected wire rope.	Lower the tension in the wire rope.
!!!!	Current effort is way above the measurement range of the selected wire rope.	Lower the tension in the wire rope.
Auto Off : xx S	Announcement of the imminent extinction of the device.	Press key "T" to reset the counter.
TIME	Automatic extinction of the device.	
BAT	Automatic extinction of the device due to low batteries condition.	Replace the alkaline cells (see § 9.1)

10.2. Error messages

Message	Cause	Solution
Corrupted signature	Error in the wire rope parameters.	Use the optional « LOADER » software to update the data bank. Or, consult the manufacturer.
Corrupted math	Error in the wire rope parameters.	Use the optional « LOADER » software to update the data bank. Or, consult the manufacturer.
Unknown error	Unidentified error.	Consult the manufacturer.
!	See conditions § 8.1, 8.2 or 8.4	See § 8.1, 8.2 or 8.4
AD-L	The output signal from the tension meter is too low.	Consult the manufacturer.
AD-H	The output signal from the tension meter is too high.	Verify that the sensor is not overloaded. Consult the manufacturer.
Z-er	The system cannot zeroing. Connection problem between the tension meter and the display.	Connect the tension meter to the display with the LEMO cable. Turn off and back on the display. If problem remains, consult the manufacturer

11. PRODUCT MARKINGS



1	Serial number
2	Identification (TYPE)
3	Wire rope diameters range
4	Maximal capacity
5	Protection rating
6	Symbol « Read the instruction Manual »
7	Power supply